

Operating Instructions

For model: T14-Alu (1766)

IMPORTANT Please make sure that the person who is to use this equipment carefully reads and understands these instructions before use.

Unlocking the handle (a):

1. Push handle in
2. Release

Locking the handle (b):

1. Pull handle up
2. Compress handle towards tacker body
3. Pull handle out

To load with staples or nails (c):

Note: Do not load fasteners of different lengths together. Do not load staples and nails mixed together.

1. With the tool upside down, squeeze the magazine end and slide the magazine out.
2. Insert the staples or nails with the legs or points facing upwards, ensuring that (looking from the rear of the tool) they sit on the left side of the magazine channel.
3. Carefully close the magazine until it locks into position.

Note: We strongly recommend that you only use approved/genuine Rapesco staples and nails.

Depth adjuster (d):

Features an impact depth adjuster for fastening into thicker or harder materials. Be sure to use the appropriate staple/nail length and test the tool on a practice workpiece.

- To increase power:
Turn dial to plus (+) sign on the body of the tacker.
- To decrease power:
Turn dial to minus (-) sign on the body of the tacker.

Margin guide (e):

A handy margin guide for accurate and precise fastening is included with this tool. To use, open the clip on the margin guide, slide it onto the base of the tool (from the nose) and clip into place at the required depth.

Detachable belt hook

The belt hook has been placed loosely inside the box to reduce bulk and improve the sustainability of our packaging. If you wish to use the belt hook, follow our simple assembly instructions below.

Note: To reduce the risk of personal injury, ensure all fastenings are removed from the tool and the handle is in locked position before making any adjustments or removing/installing the belt hook.

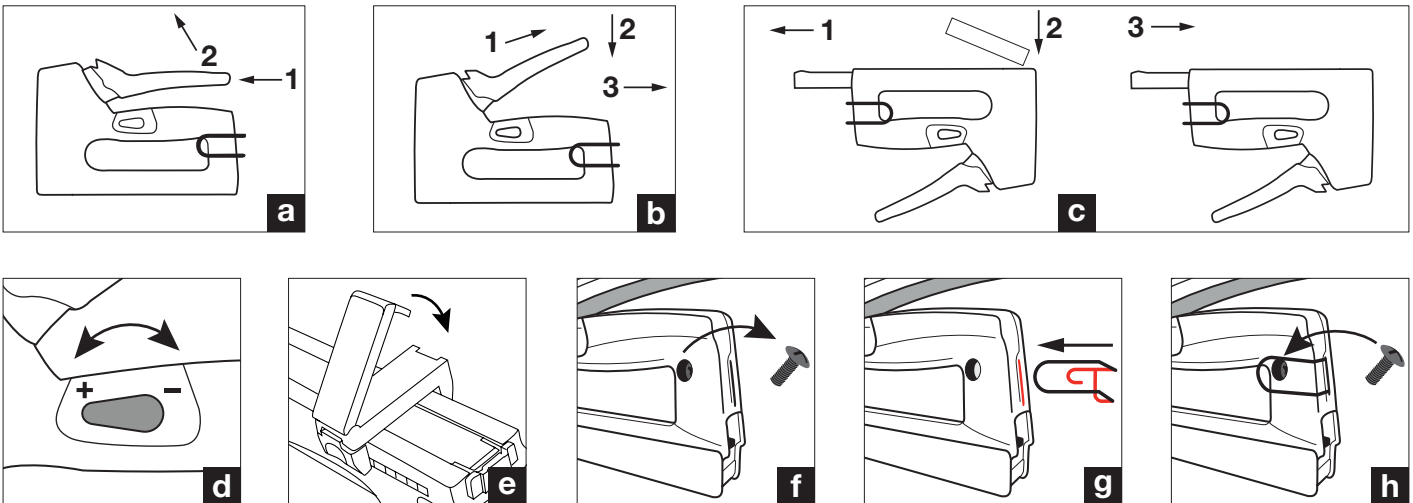
Attaching the belt hook (f, g, h):

1. Remove the screw from the front side of the tool (f). Set the screw aside in a safe place.
 2. Slide the belt hook into position (g) from the back of the tool.
 3. Secure the belt hook firmly in place with the screw (h) that was used in step 1.
- Note:** When attaching or replacing the belt hook, use only the screw that is provided. Ensure the screw is securely tightened before use.

Note: To reduce the risk of personal injury, DO NOT suspend the tool overhead or suspend objects from the belt hook. ONLY hang tool's belt hook from a secure work belt.

Removing the belt hook:

1. Remove the screw from the front of the tool that holds the belt hook in place.
2. Detach the belt hook and then reassemble the screw securely back into the tool.



Warning/Caution

- Only fire the tacker when positioned in place for fastening to the required material.
- Fully release the handle back to the starting position before firing each shot.
- Never fire tacker into the air – this can result in a serious injury.
- The operator and persons in the vicinity of the tool should wear CE or UKCA approved eye protection/goggles.
- Only use Rapesco staple/nails as others may cause jamming or damage to the tool.
- Store out of reach of children and pets.
- Keep your work area clean and well lit.
- Always watch what you are doing and use common sense.
- Do not wear loose clothing or jewellery that can catch on moving parts.
- Store the tacker with the handle in the locked position.

Product advice & technical support

If you have a problem with your Rapesco hand tacker, email: service@rapesco.com

Troubleshooting

Follow the instructions below if your tool seems not to operate properly. If this does not solve the issue, please contact us at: service@rapesco.com

Staple/nails jammed in tool	Tool does not fire staple/nails	Tool does not drive the staple/nail fully
<ul style="list-style-type: none"> • Use genuine Rapesco staple/nails as specified for the tool. • Ensure that the staple/nail length is suitable for the material. • Clear/clean the magazine and staple/nail mouth. 	<ul style="list-style-type: none"> • Load staple/nails into the magazine. • Use genuine Rapesco staple/nails as specified for the tool. • Clear/clean the magazine and staple/nail mouth. 	<ul style="list-style-type: none"> • Ensure that the staple/nail length is suitable for the material. • Use the depth adjuster to increase or reduce power when fastening into soft or hard materials. • The material may be too hard to fully drive longer length staple/nails. • It may be necessary to add pressure to the top of the tool.

Removing jammed staple/nails

You must remove any jammed staple/nails before using the tool any further. If you try to fire a fastener while the tool is jammed, you could cause damage to the mechanism.

- Ensure the magazine is facing away from you and others.
- Squeeze the magazine end to slide the magazine out.
- Tilt the tool to remove any unused staple/nails in the channel (you can use pliers for ease), this should clear the jammed staple/nail(s).
- Do not insert the damaged staple/nail(s) back into the magazine.
- Always carefully test the tool fire before fully proceeding with any work.

Guarantee

All Rapesco hand tackers are carefully checked, tested and are subject to the stringent controls of Quality Control. Rapesco therefore offers the following guarantee. Your warranty claim based on your sales contract with the retailer, including your statutory rights, shall not be affected by this guarantee.

One month guarantee

If you are not completely satisfied with the performance of your product or it is faulty or damaged on purchase, then we will exchange the product or issue a full refund within 28 days of purchase. Proof of purchase must be produced with an original receipt and the tacker must be returned complete as purchased to the point of purchase. This does not affect your statutory rights.

Five year standard warranty

Should your Rapesco tacker become defective due to faulty materials or workmanship within 60 months from the date of purchase, we guarantee to replace, at our discretion, the tool free of charge. This warranty does not cover:

- Tools that have received unauthorised changes or additions.
- Defects caused by accessories, components, spare parts or staple/nails which are not genuine Rapesco brand.
- Component parts that are subject to natural wear and tear caused by use in accordance with our operating instructions.
- Proof of purchase must be produced with an original receipt.